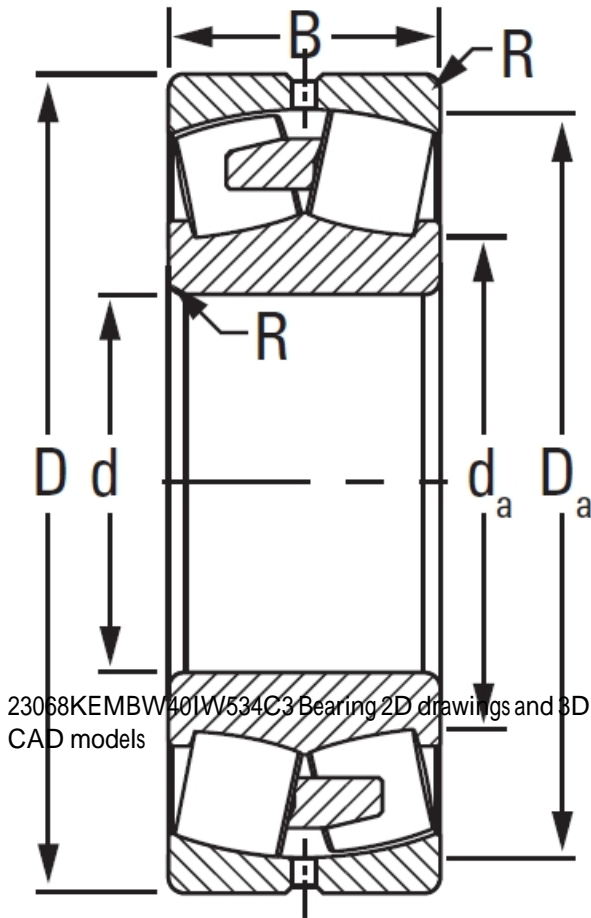




23068KEMBW40IW534C3 TIMKEN Tapered Roller Bearings

Bearing No. 23068KEMBW40IW534C3



23068KEMBW40IW534C3 Bearing 2D drawings and 3D CAD models

Design Unit	METRIC
Bore Taper	1/12
Bearing Weight	102.700 Kg
Cage Type	EMB
Cage Material	Brass
Superseded Part	23068KYMBW40IW534C3
d	340.000 mm
D	520.000 mm
B - Inner Ring Width	133 mm
B - Outer Ring Width	133.000 mm
R - Inner Ring To Clear Radius ¹	4.000 mm
r - Outer Ring To Clear Radius ²	4.000 mm
da - Inner Ring Backing Diameter	381.000 mm
Da - Outer Ring Backing Diameter	481.000 mm
C0 - Static Radial Rating	4630000 N
C1(2) - Dynamic Radial Rating (Two-Rows)	2890000 N
e - ISO Factor ³	0.23
Y0 - ISO Factor ⁴	2.96
Y1 - ISO Factor ⁵	4.4
Y2 - ISO Factor ⁶	2.89
Reference Thermal Speed Rating (Grease)	800



NDF Bearing Science & Technology CO.,...

Reference Thermal Speed Rating (Oil) ⁷	930
Cg - Geometry Factor ⁸	0.135